

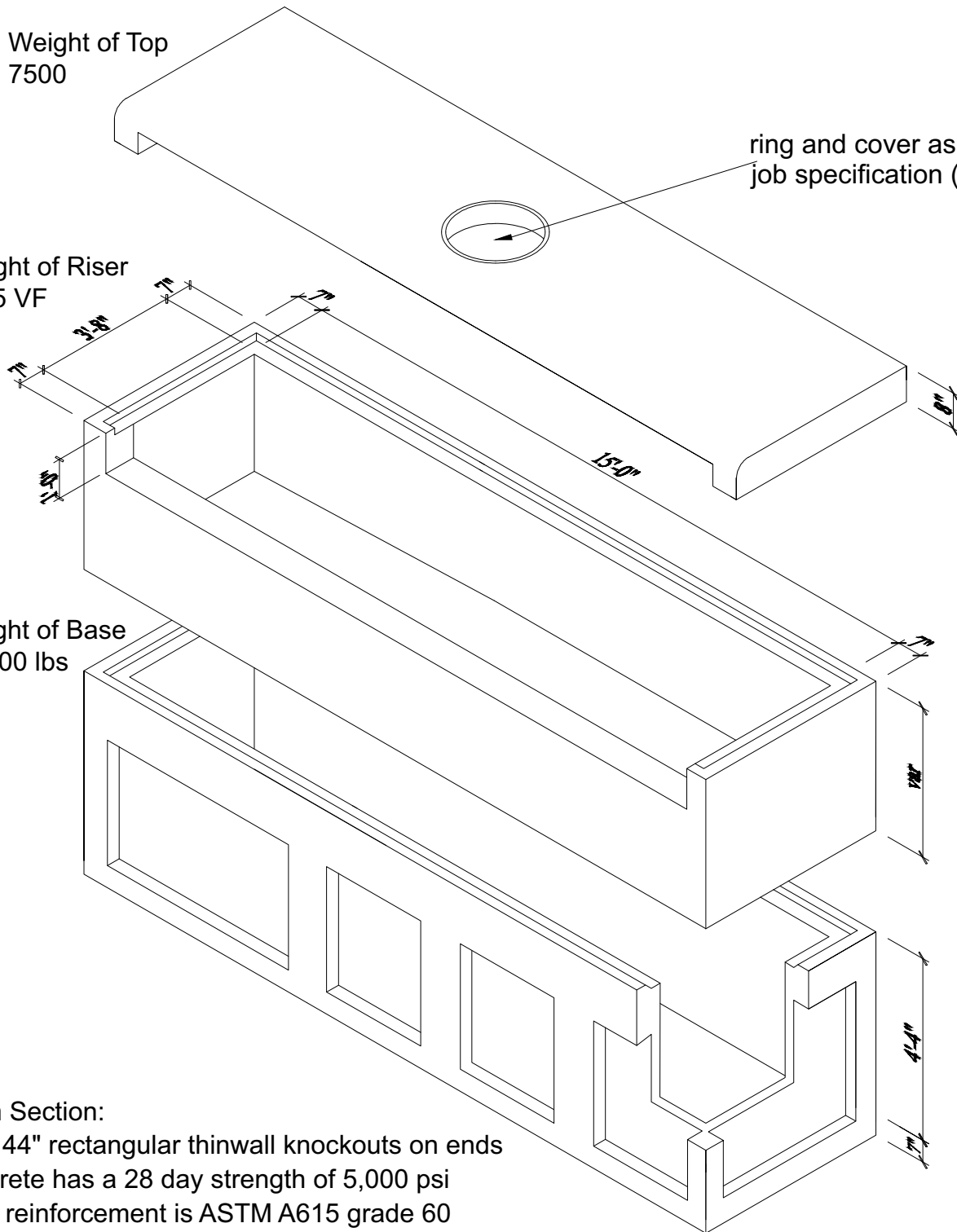
3'-8" x 15'-0" Type C-1 Curb Inlet

Weight of Top
7500

ring and cover as per
job specification (typical 32")

Weight of Riser
4165 VF

Weight of Base
19,300 lbs



Bottom Section:

- 44" x 44" rectangular thinwall knockouts on ends
- Concrete has a 28 day strength of 5,000 psi
- Steel reinforcement is ASTM A615 grade 60
- Load design is H-20



Lone Star Precast
454 Kelly Smith Lane
Buda, Texas 78610
Ph: 512.312.2121



3'-8" x 15'-0" Type C-1 Curb Inlet

PART NO

-

DWG NO

-

REV

DRAWN
SKP

DATE
02/06/2023

SCALE
1 / 40

Dimensions Unit: inch

SHEET 1 OF 1